



COMPUTERIZED METERING DEVICE

MC M8

MC E8U

MC S6

MCA 18

MC 18

Model / Function

MCA 18 系列 SERIES

自動切帶及送帶的功能，有27組程式及記憶，功能超強。

Auto-Cutting and Re-Insert. It can Reach Different Sewing Purpose by Powerful Multi-Function with 27 Program Memory.

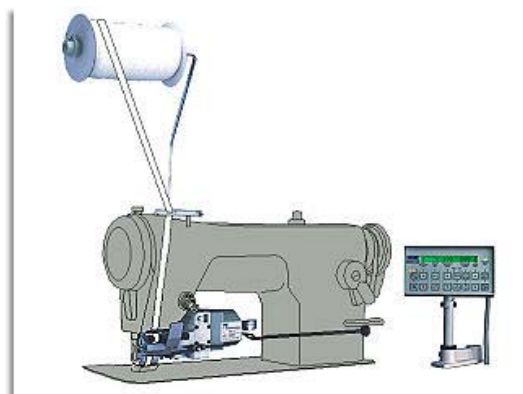
附有切帶裝置：

可縫製各種鬆緊帶製品，特別是縫製圓筒型製品的接頭，車縫中鬆緊帶可以在壓布腳前自動快速切斷，再重疊車縫，接頭平整美觀，車縫前後，壓布腳自動提升鬆緊帶，自動送到壓腳下待用。

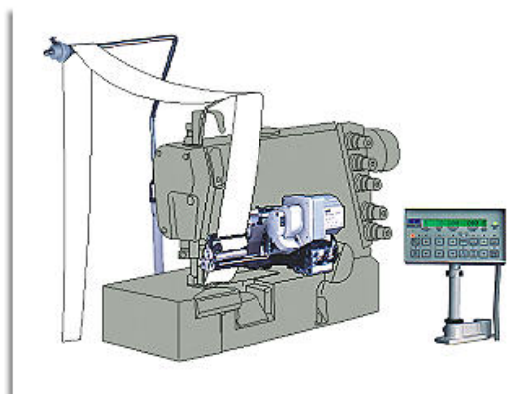
With Cutting Device :

To any Elastic Attaching Sewing, Special for Connecting the Circle Sewing. During the Sewing Operation, It Can Auto Cut the Tape Fast in front of the Presser Foot for Covering Sewing to Make the Flat and Beautiful Sewing. In the Beginning and After Finish Sewing The Presser Foot will be Lifted Automatically. And the Elastic will be Re-Insert Into the Presser Foot to Stand By.

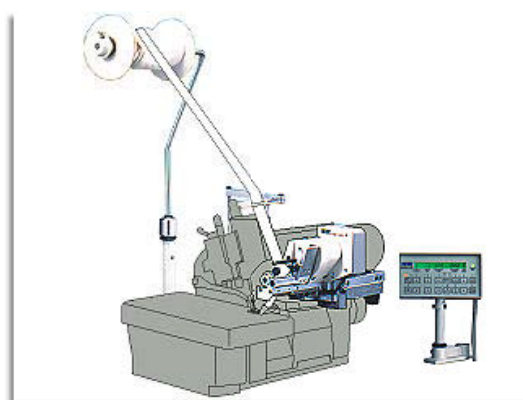
MCA 18Z-19 千鳥車用 FOR ZIG-ZAG



特殊機型·訂貨生產 範例 Special Order Only Example

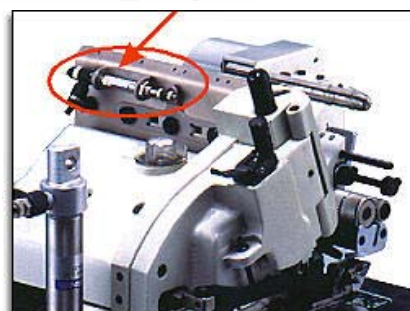


MCA 18K-38 包縫車用 MCA 18K-64 FOR OVERLOCK



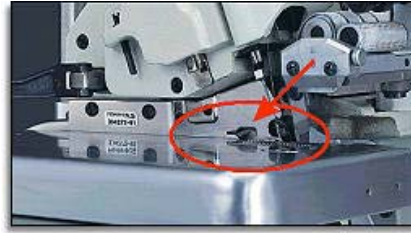
TR 鬆線裝置：MCA 18K 專用 (選擇配件) Thread Release Device : For MCA 18K Only (Optional Parts)

MCA 18K-38/TR MCA 18K-64/TR



- 縫畢時可將車針的縫線放鬆便於切斷
- Release the thread for cutting thread easily after sewing.

-
-
-



- 適用於有安裝吸入式線頭切斷裝置的包縫車
- Suitable Overlock with Chain Cutter and Vacuum



MC M8

MC E8U

MC S6

MCA 18

MC 18

Model / Function

● **COMPUTERIZED METERING DEVICE**
 微電腦送帶系列

● **PULLER ATTACHMENT**
 拖輪系列

● **SUPPLEMENTARY DEVICES**
 車縫輔助系列

● **CONTACT US**

● **E-MAIL**

● **HOME**